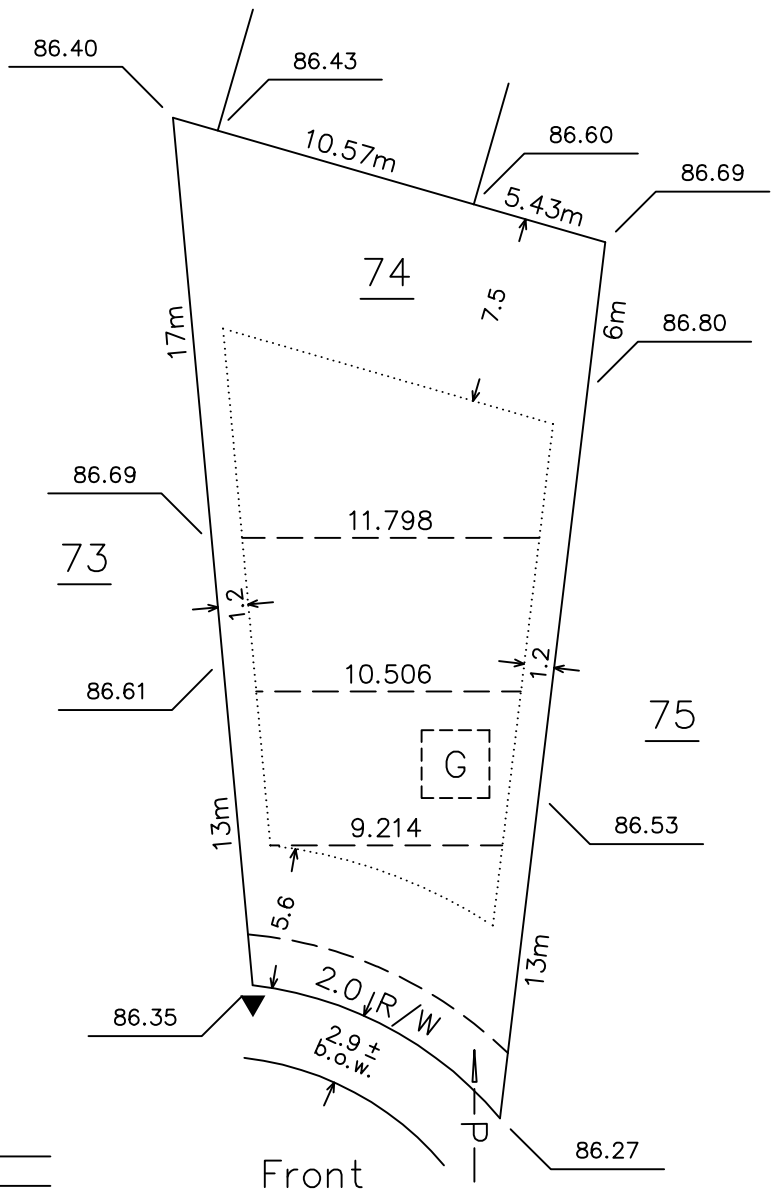


NOTE:  
Information to be used  
as a guideline only, and  
is subject to change.

NOTE:  
Information Based On  
Unregistered Plan, Subject  
To Change.



RSL Zoning

Note:  
Builder/Owner responsible  
to ensure back fill  
levels meet all codes.

PROPOSED CLEAN OUT SHOWN	▽
PROPOSED MANHOLE SHOWN	□
PROPOSED STREET LIGHT SHOWN	○
PROPOSED HYDRANT SHOWN	⊕
PROPOSED C.C. LOCATION SHOWN	▽
PROPOSED TRANSFORMER SHOWN	■
PROPOSED SERVICE PEDESTAL SHOWN	●
PROPOSED POWER SHOWN	-P→
HOUSE TYPE	_____
FINISHED FLOOR	_____
BOTTOM OF FOOTING	_____
FINISHED GRADE AT - FRONT STEP	_____
- BACK OF HOUSE	_____
BOTTOM OF - BACK/SIDE DOOR SILL	_____
- BASEMENT WINDOWS	_____
TOP OF CONCRETE BASEMENT WALL	_____
GARAGE FLOOR	_____
SANITARY SEWER SERVICE INVERT	_____ 83.60 _____
FOOTING SIZE	_____

Lot Width At 9m: 12.374m

Lot Area:  
461.1 Sq M

ALL DISTANCES SHOWN ARE IN METRES AND DECIMALS THEREOF .  
ALL DIMENSIONS AND SERVICES SHOWN MUST BE CONFIRMED BY CONTRACTOR PRIOR TO EXCAVATION.  
BUILDER / OWNER IS LIABLE FOR ANY COSTS INCURRED DUE TO AN ERROR IN THE  
ABOVE PLAN IF CONSTRUCTION STARTS PRIOR TO THIS PLAN BEING APPROVED  
BY THE LOCAL APPROVING AUTHORITY

DATE OF REVISION \_\_\_\_\_  
F.P. \_\_\_\_\_

LOT 74 BLOCK 3 PLAN Unregistered  
SUBDIVISION Ambleside  
IN Edmonton ALBERTA

SCALE: 1 : 300

DATE DRAWN: Mar. 10/14 x

**P** Pals Geomatics  
Corp.

