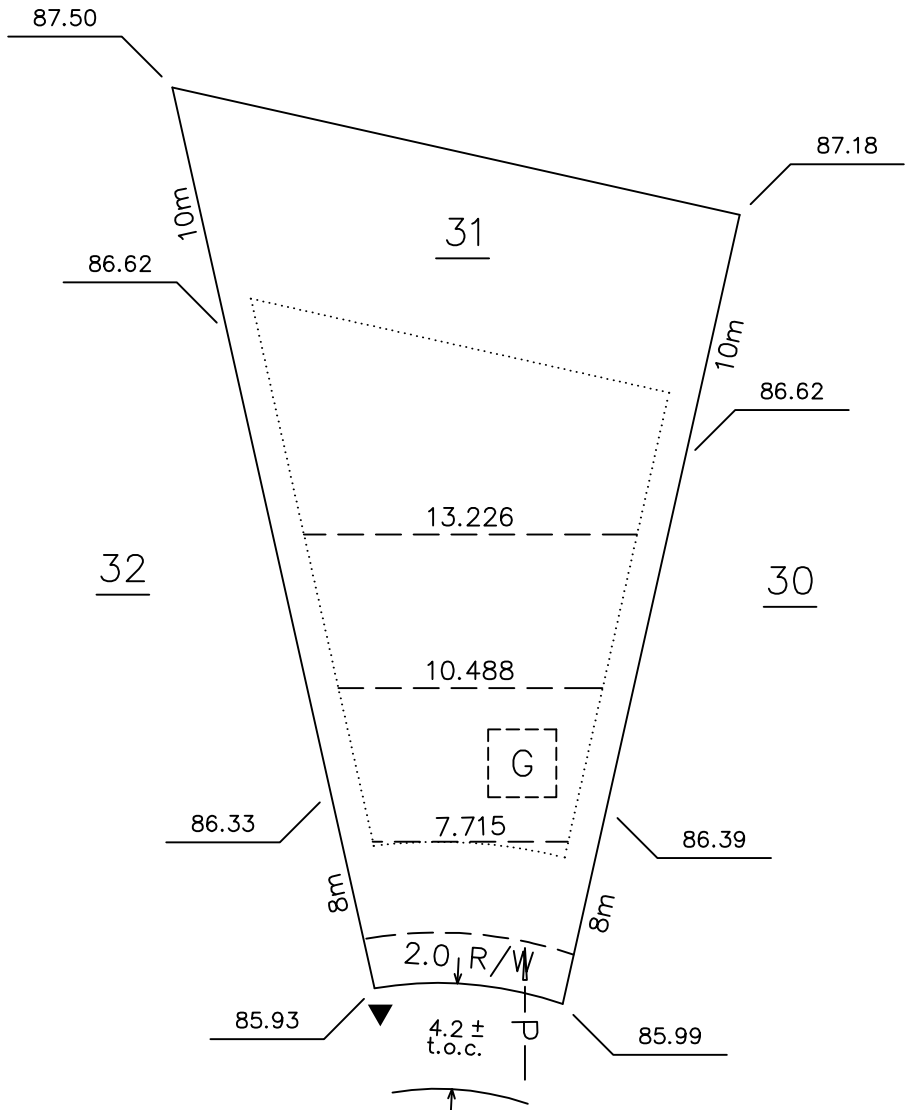
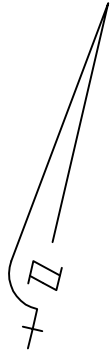


Road



Front

NOTE:
Information to be used
as a guideline only, and
is subject to change.

RSL Zoning

Note:
Builder/Owner responsible
to ensure back fill
levels meet all codes.

- PROPOSED CLEAN OUT SHOWN
- PROPOSED MANHOLE SHOWN
- PROPOSED STREET LIGHT SHOWN
- PROPOSED HYDRANT SHOWN
- PROPOSED C.C. LOCATION SHOWN
- PROPOSED TRANSFORMER SHOWN
- PROPOSED SERVICE PEDESTAL SHOWN
- PROPOSED POWER SHOWN

HOUSE TYPE	
FINISHED FLOOR	
BOTTOM OF FOOTING	
FINISHED GRADE AT - FRONT STEP	
- BACK OF HOUSE	
BOTTOM OF - BACK/SIDE DOOR SILL	
- BASEMENT WINDOWS	
TOP OF CONCRETE BASEMENT WALL	
GARAGE FLOOR	
SANITARY SEWER SERVICE INVERT	83.18
FOOTING SIZE	

Lot Width At 9m: 11.7350m

Lot Area:
498.82 Sq M

ALL DISTANCES SHOWN ARE IN METRES AND DECIMALS THEREOF.
ALL DIMENSIONS AND SERVICES SHOWN MUST BE CONFIRMED BY CONTRACTOR PRIOR TO EXCAVATION.
BUILDER / OWNER IS LIABLE FOR ANY COSTS INCURRED DUE TO AN ERROR IN THE
ABOVE PLAN IF CONSTRUCTION STARTS PRIOR TO THIS PLAN BEING APPROVED
BY THE LOCAL APPROVING AUTHORITY

DATE OF REVISION 1 Aug. 21/13 G
F.P. _____

LOT 31 BLOCK 19 PLAN 132 3099
SUBDIVISION Ambleside
IN Edmonton ALBERTA

SCALE: 1 : 300 DATE DRAWN: Jan. 24/13 K

